

© TAIT ELECTRONICS A1

TB8000
RECITER CONTROL

IPN: 220-02024-12 ISSUE: A VARIANT NUMBER: -

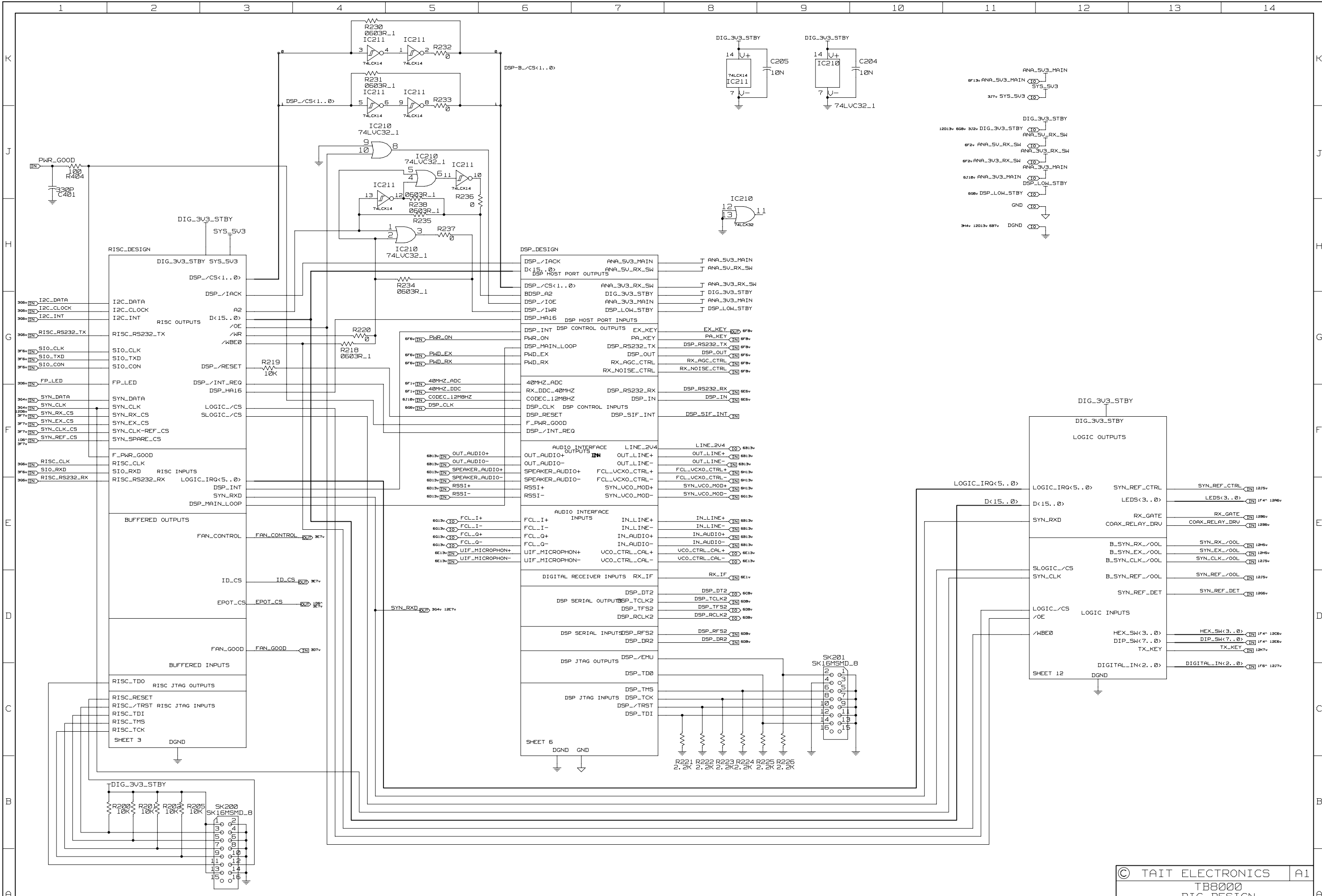
FILE DATE: Fri May 02 15:46:56 2003

ENGINEER: MN FILE NAME: 220_02024 SHEET NUMBER: 1 OF 18

12A	DCO 02024-022, 02024-023	SA	MN	CK	MN	2/5/03
REV/ISS	AMENDMENTS	DRAWN	CHKD	D.O.	APVD	DATE
1		3		4		5

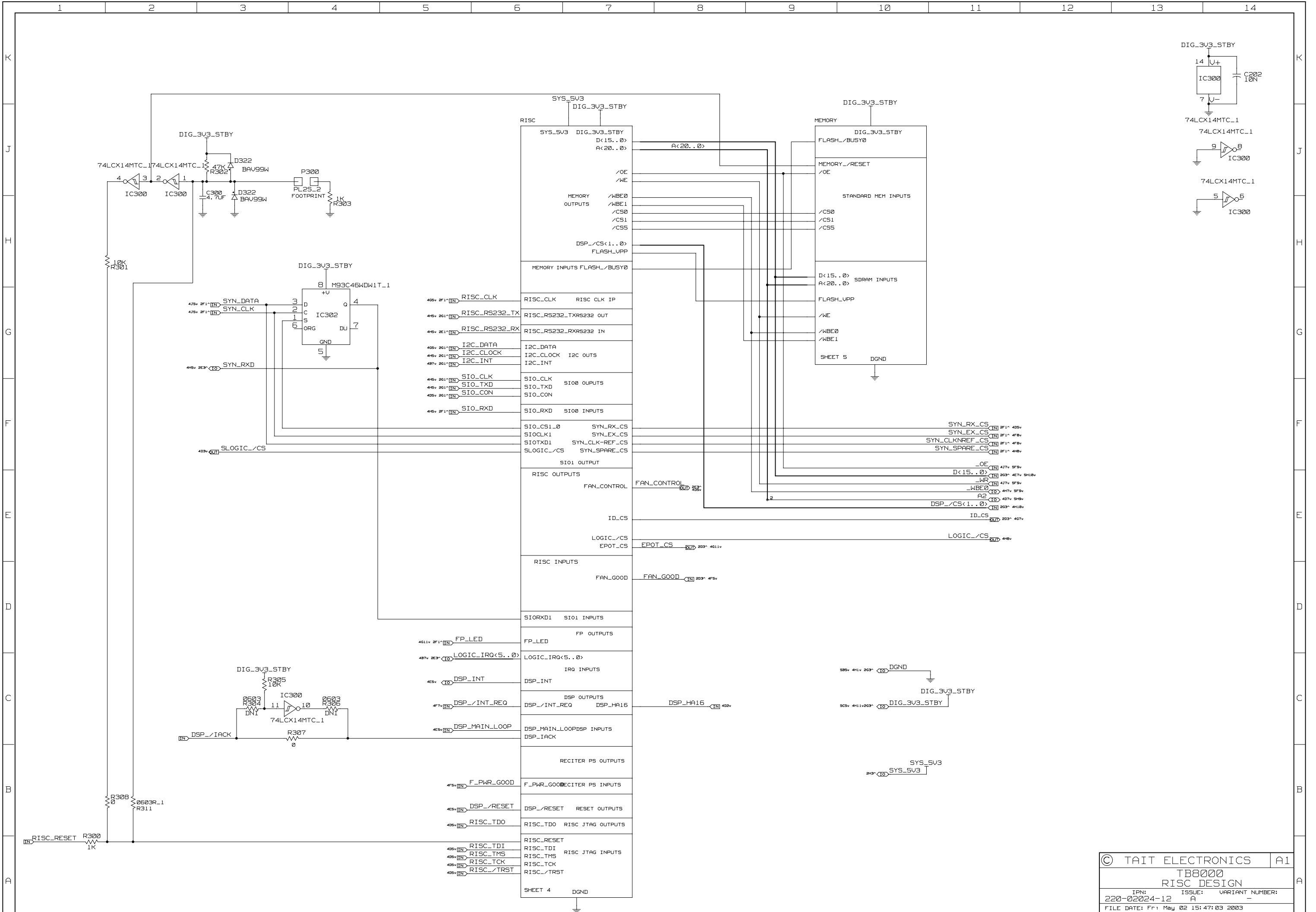
TOPFIDA
FIDUCIAL

TOPFIDB
FIDUCIAL



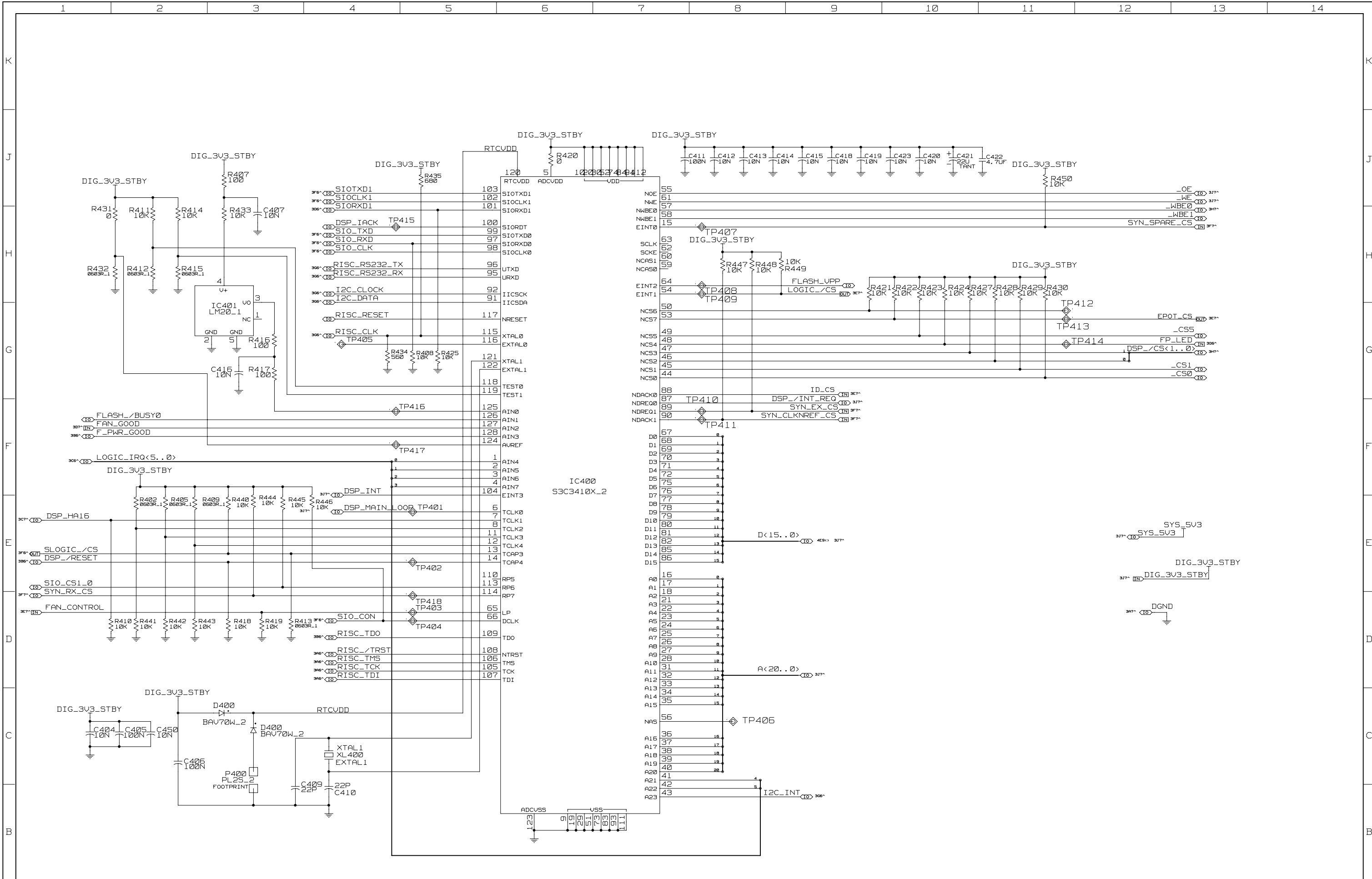
© TAIT ELECTRONICS		A1
TB8000 DIG DESIGN		
IPN: 220-02024-12	ISSUE: A	VARIANT NUMBER: -
FILE DATE: Fri May 02 15:47:00 2003		
ENGINEER: MN	FILE NAME: 220_02024	SHEET NUMBER: 2 OF 18

REV/ISS	AMENDMENTS	DRAWN	CHKD	D.O.	APVD	DATE
1						



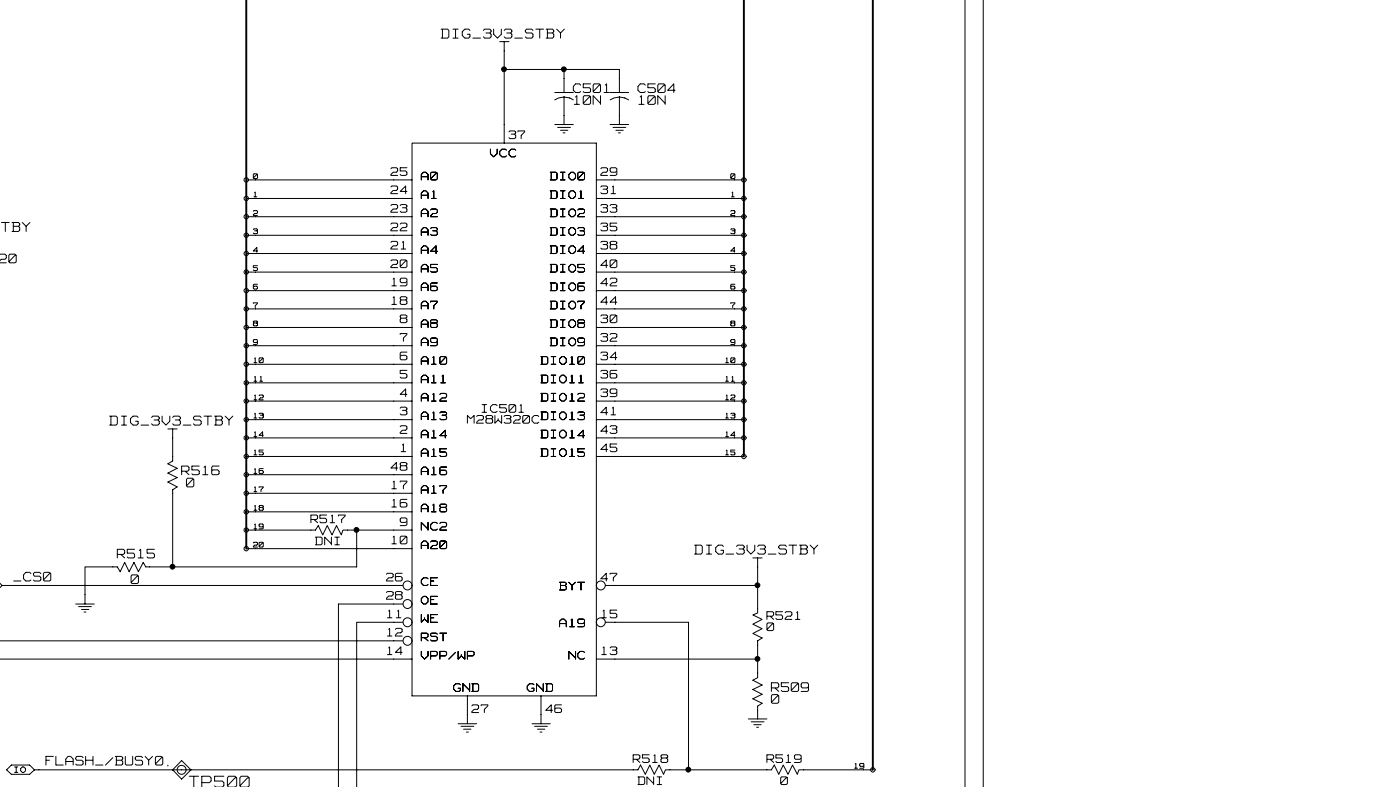
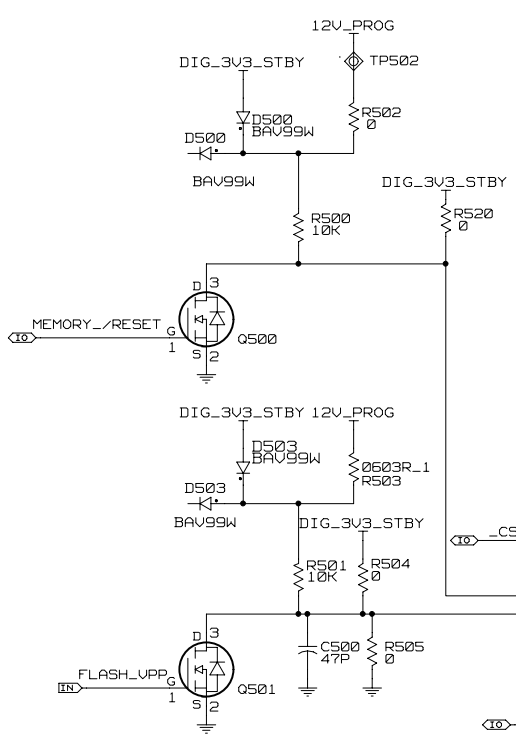
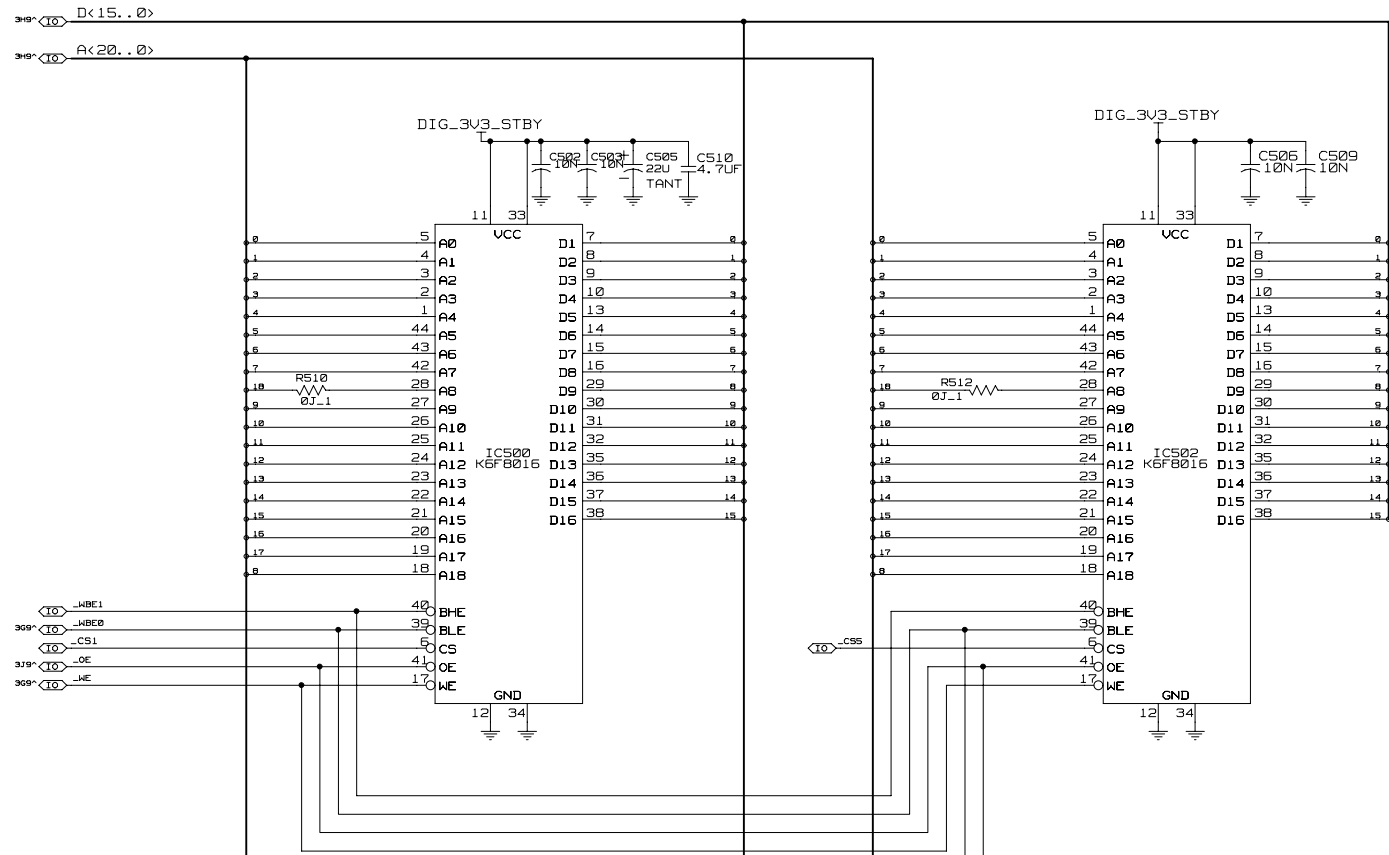
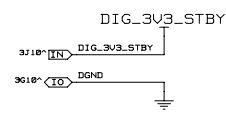
© TAIT ELECTRONICS		A1
T88000 RISC DESIGN		
IPN: 220-02024-12	ISSUE: A	VARIANT NUMBER: -
FILE DATE: Fri May 02 15:47:03 2003		
ENGINEER: MN	FILE NAME: 220_02024	SHEET NUMBER: 3 OF 18

REV/ISS	AMENDMENTS	DRAWN	CHKD	D.O.	APVD	DATE
1						



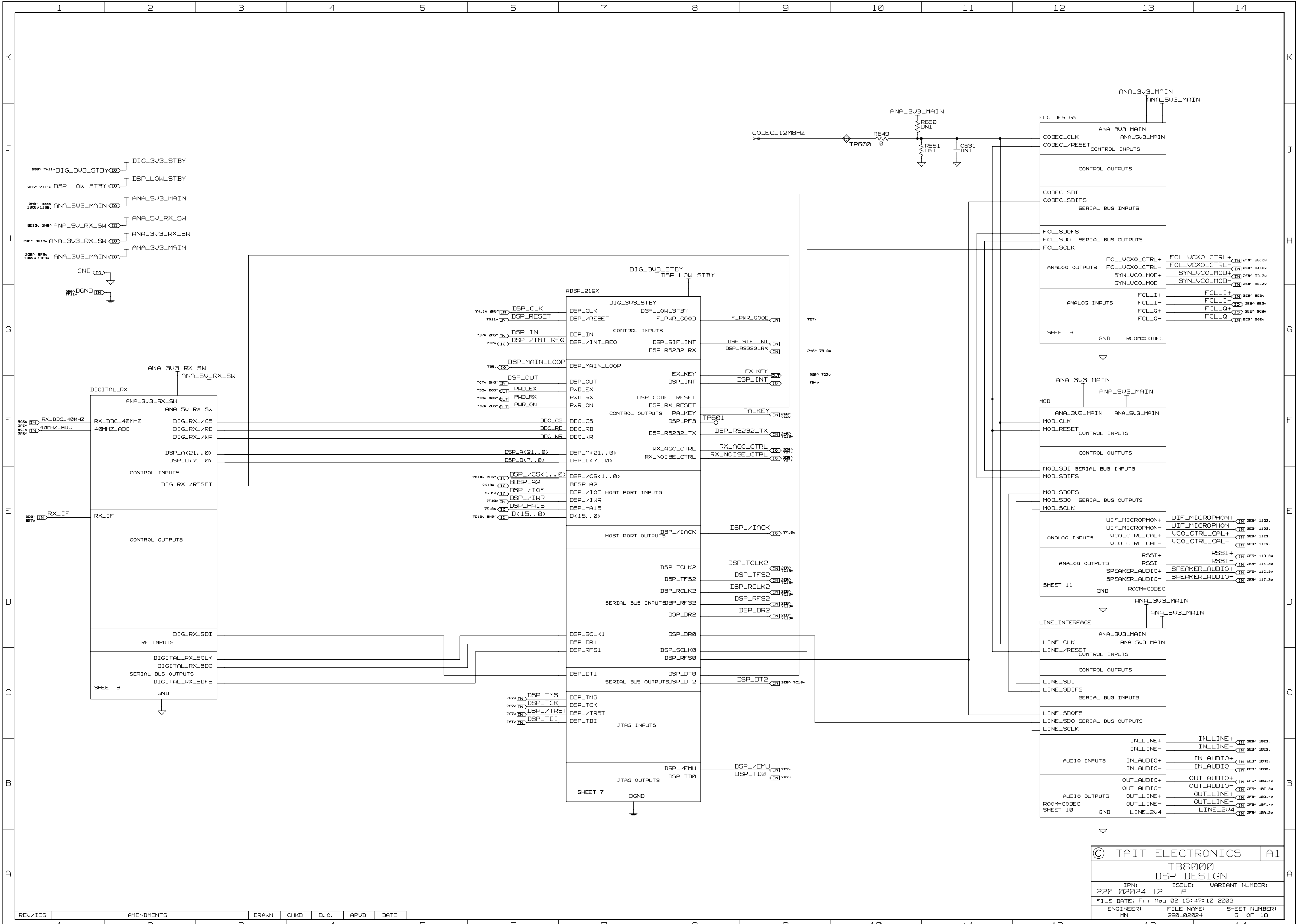
© TAIT ELECTRONICS		A1
TB8000 RISC		
IPN: 220-02024-12	ISSUE: A	VARIANT NUMBER: -
FILE DATE: Fri May 02 15:47:07 2003		
ENGINEER: MN	FILE NAME: 220_02024	SHEET NUMBER: 4 OF 18

REV/ISS	AMENDMENTS	DRAWN	CHKD	D.O.	APVD	DATE
1						



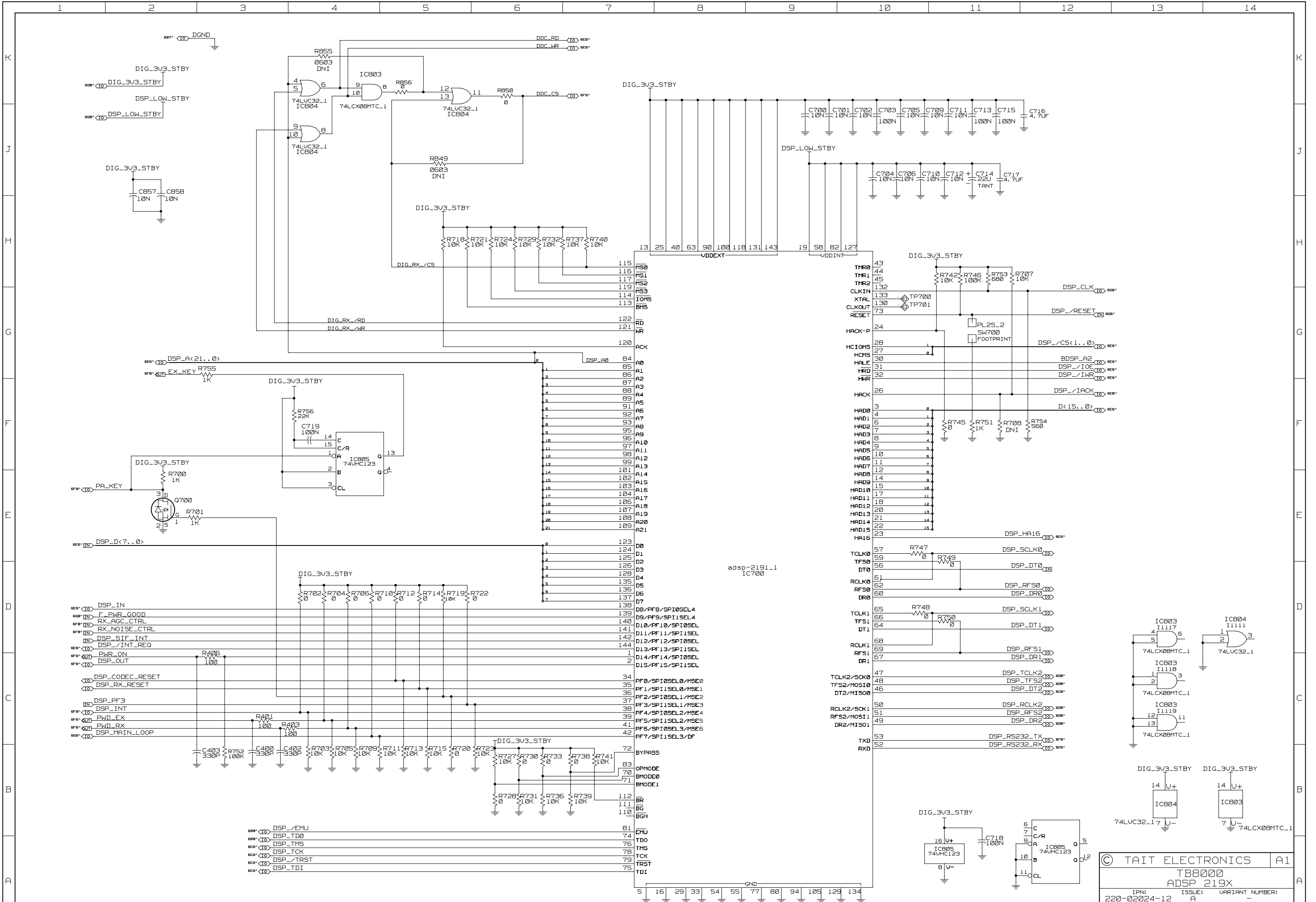
© TAIT ELECTRONICS		A1
TB8000 MEMORY		
IPN: 220-02024-12	ISSUE: A	VARIANT NUMBER: -
FILE DATE: Fri May 02 15:47:08 2003		
ENGINEER: MN	FILE NAME: 220_02024	SHEET NUMBER: 5 OF 18

REV/ISS	AMENDMENTS	DRAWN	CHKD	D.O.	APVD	DATE
1						



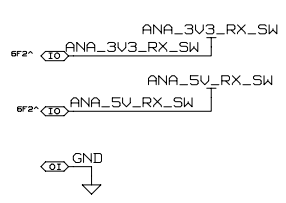
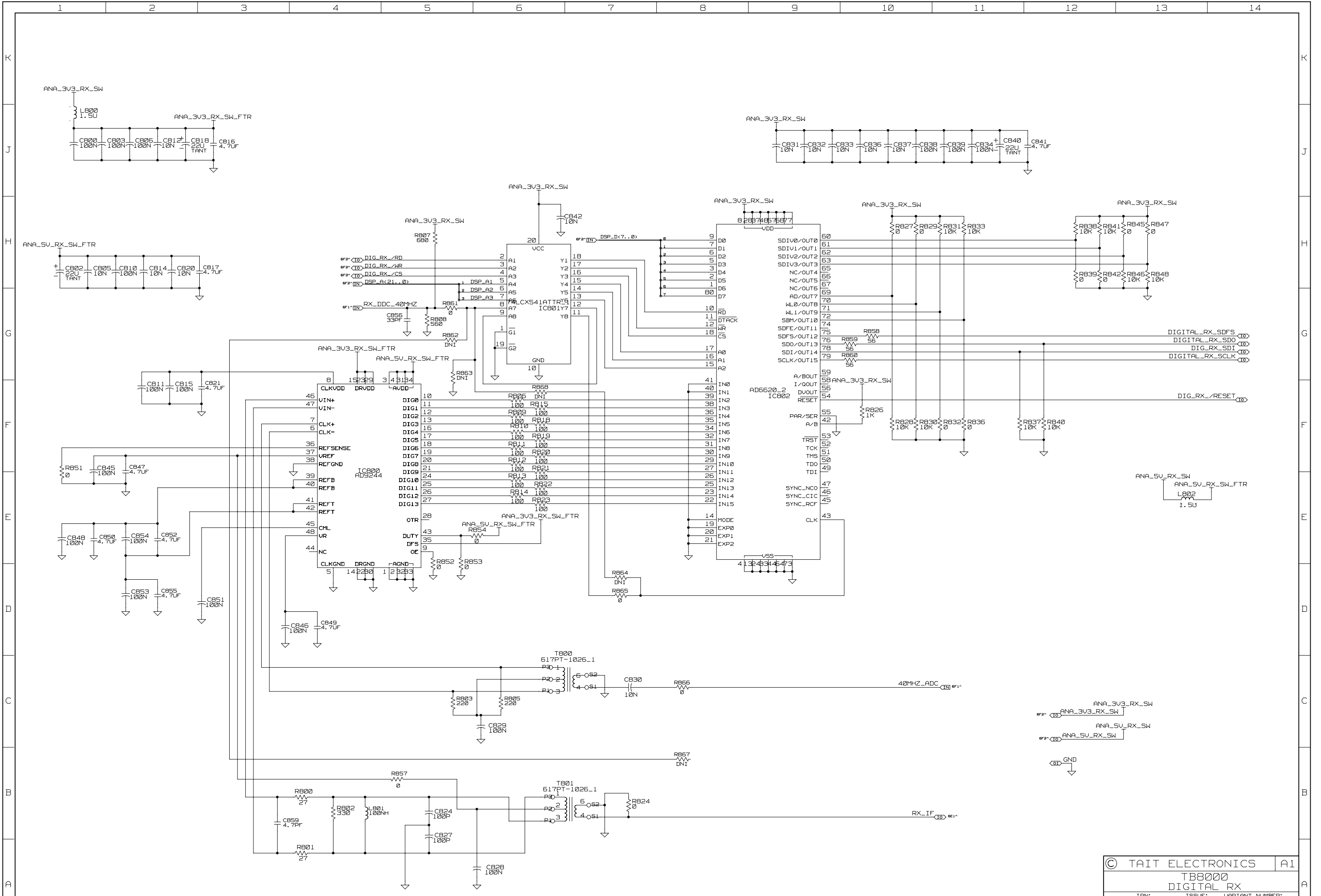
© TAIT ELECTRONICS		A1
T88000 DSP DESIGN		
IPN: 220-02024-12	ISSUE: A	VARIANT NUMBER: -
FILE DATE: Fri May 02 15:47:10 2003		
ENGINEER: MN	FILE NAME: 220_02024	SHEET NUMBER: 6 OF 18

REV/ISS	AMENDMENTS	DRAWN	CHKD	D.O.	APVD	DATE
1						



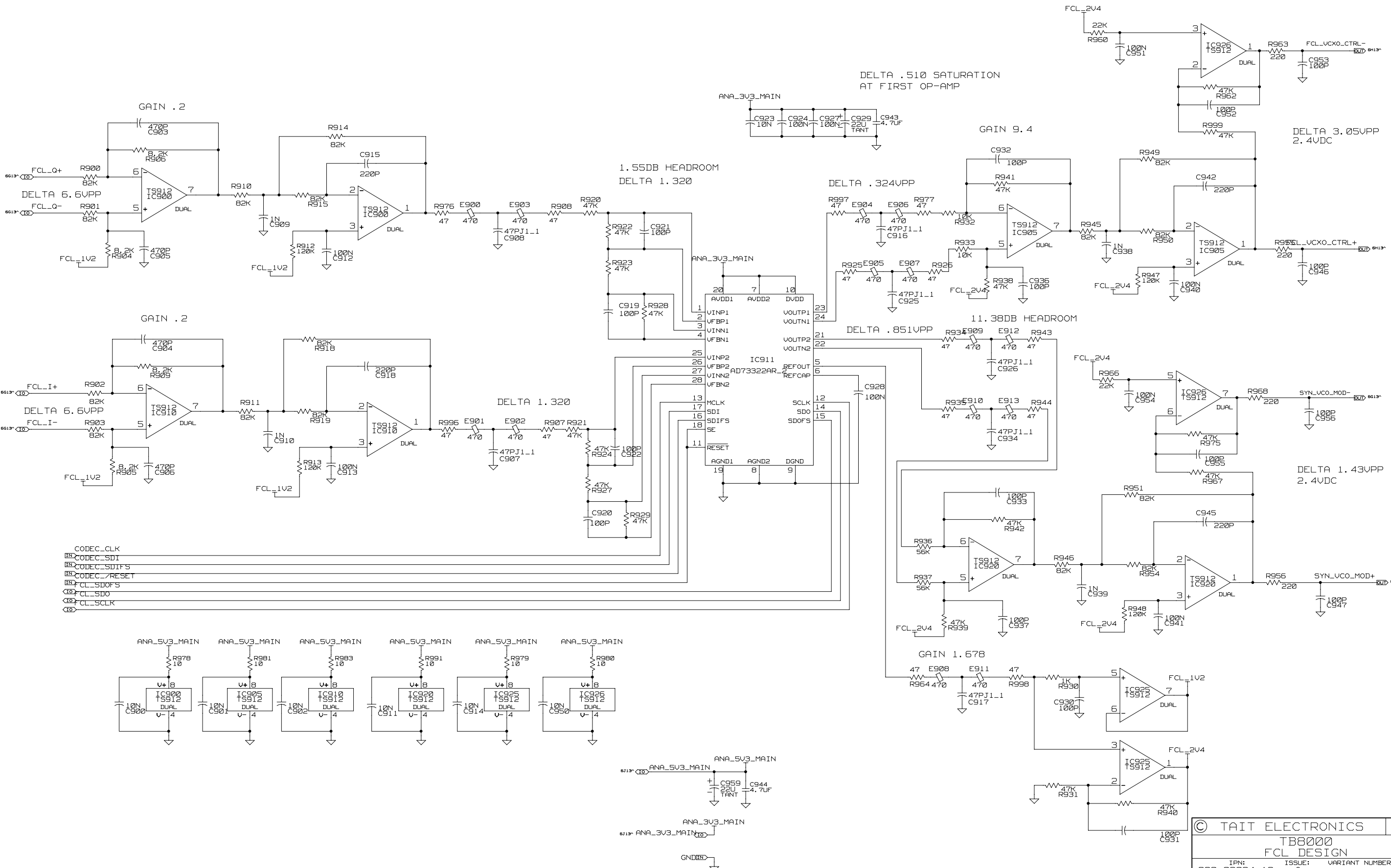
© TAIT ELECTRONICS		A1
T88000		
ADSP 219X		
IPN:	ISSUE:	VARIANT NUMBER:
220-02024-12	A	-
FILE DATE: Fri May 02 15:47:14 2003		
ENGINEER:	FILE NAME:	SHEET NUMBER:
MN	220_02024	7 OF 18

REV/ISS	AMENDMENTS	DRAWN	CHKD	D.O.	APVD	DATE
1						



© TAIT ELECTRONICS		A1
T8000		
DIGITAL RX		
IPN:	ISSUE:	VARIANT NUMBER:
220-02024-12	A	-
FILE DATE:	Fri May 02 15:47:19 2003	
ENGINEER:	FILE NAME:	SHEET NUMBER:
MN	220_02024	B OF 18

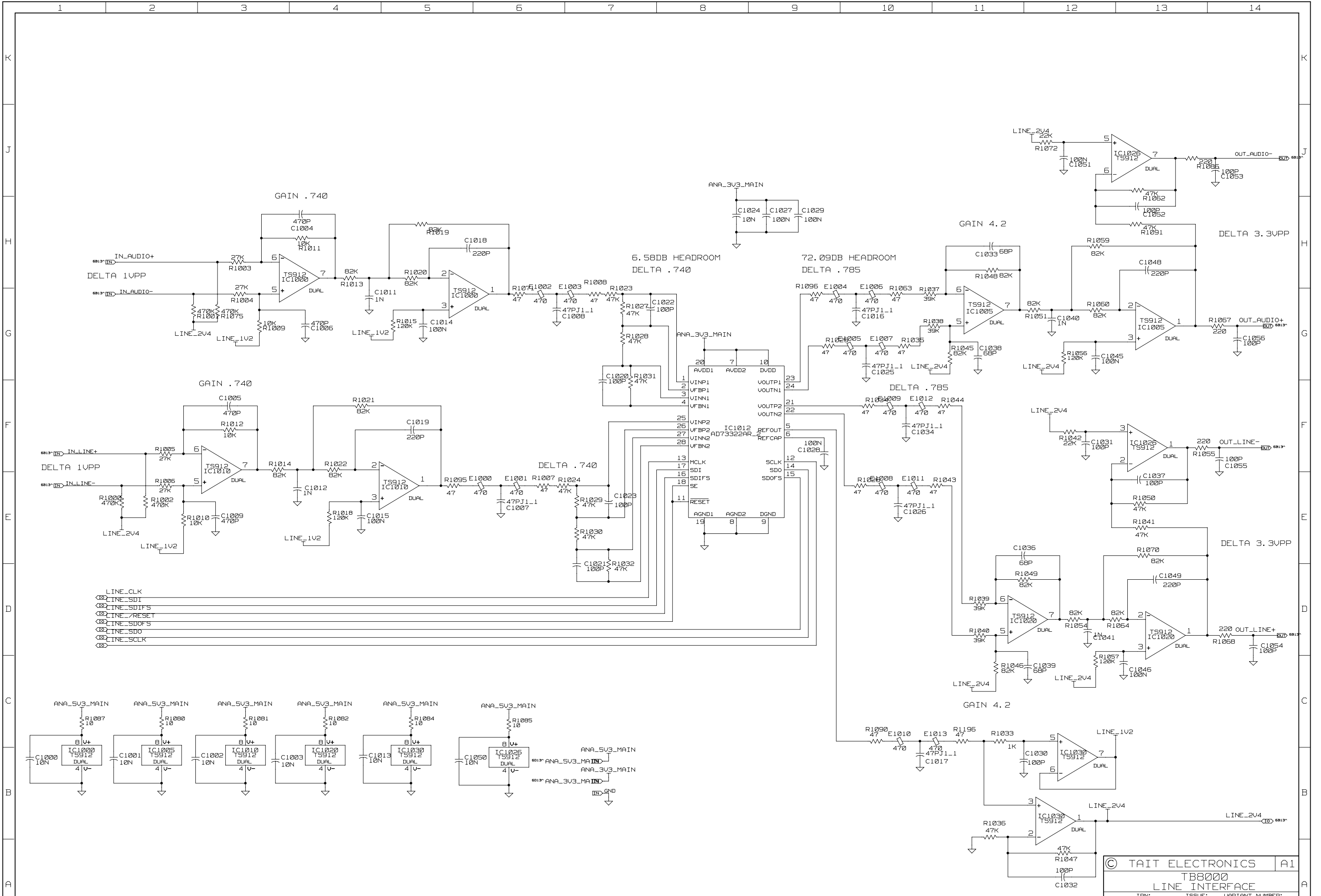
REV/ISS	AMENDMENTS	DRAWN	CHKD	D.O.	APVD	DATE
1						



- CODEC_CLK
- CODEC_SDI
- CODEC_SDI FS
- CODEC_RESET
- CL_SDO FS
- CL_SDO
- CL_SCLK

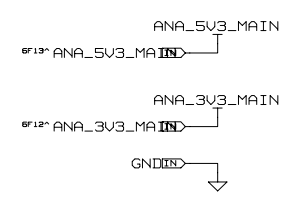
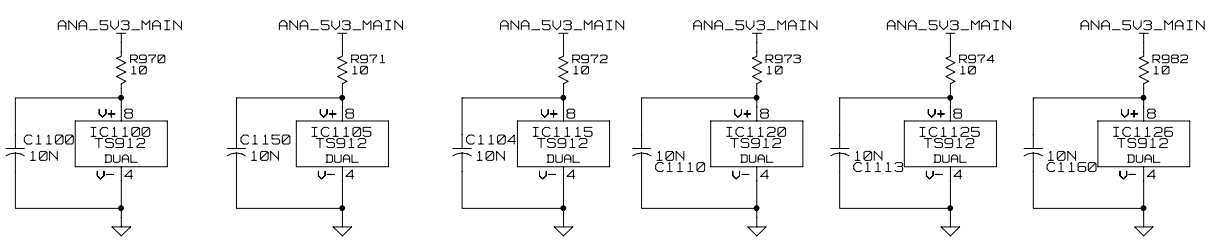
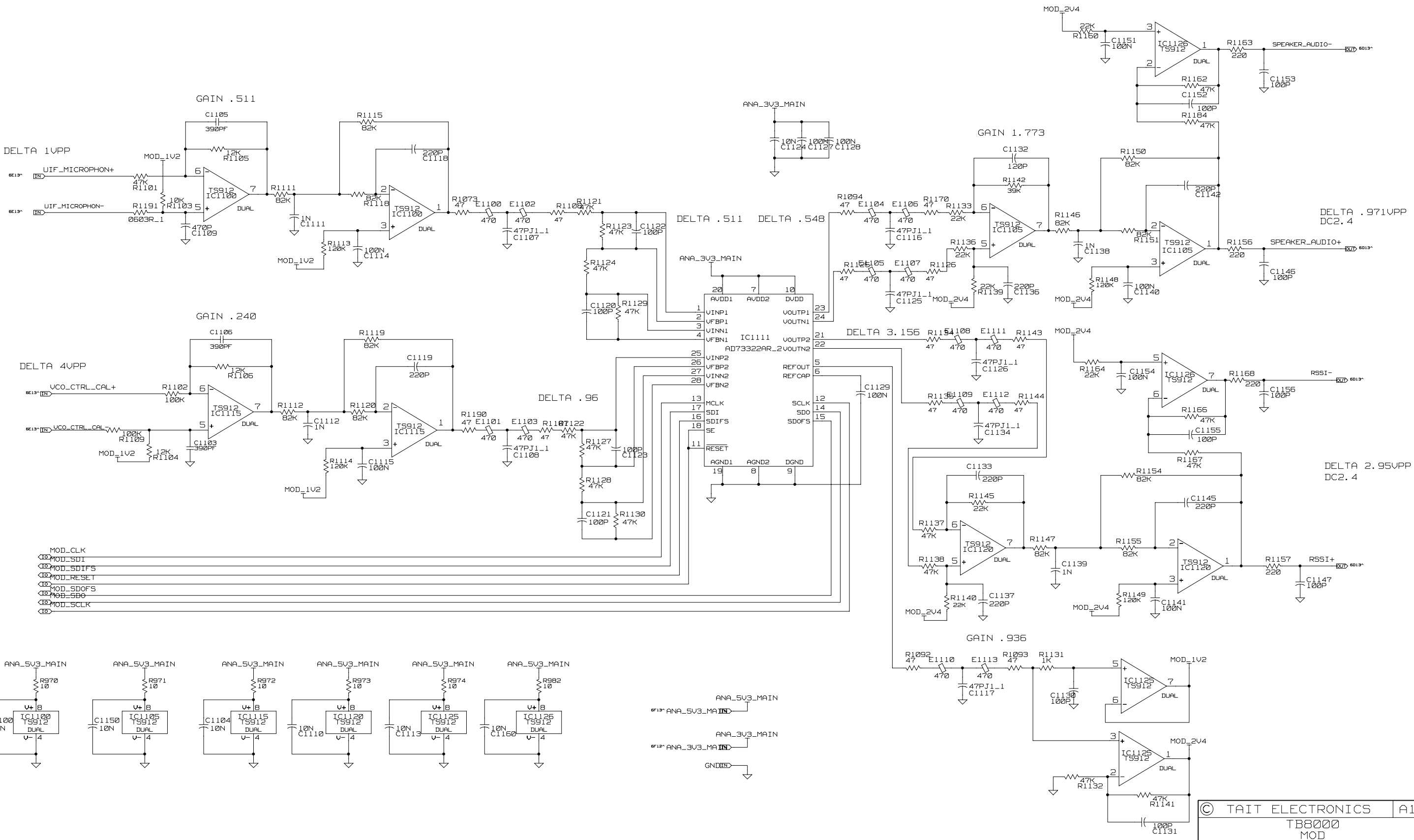
© TAIT ELECTRONICS		A1
TB8000 FCL DESIGN		
IPN: 220-02024-12	ISSUE: A	VARIANT NUMBER: -
FILE DATE: Fri May 02 15:47:21 2003		
ENGINEER: MN	FILE NAME: 220_02024	SHEET NUMBER: 9 OF 18

REV/ISS	AMENDMENTS	DRAWN	CHKD	D.O.	APVD	DATE
1						



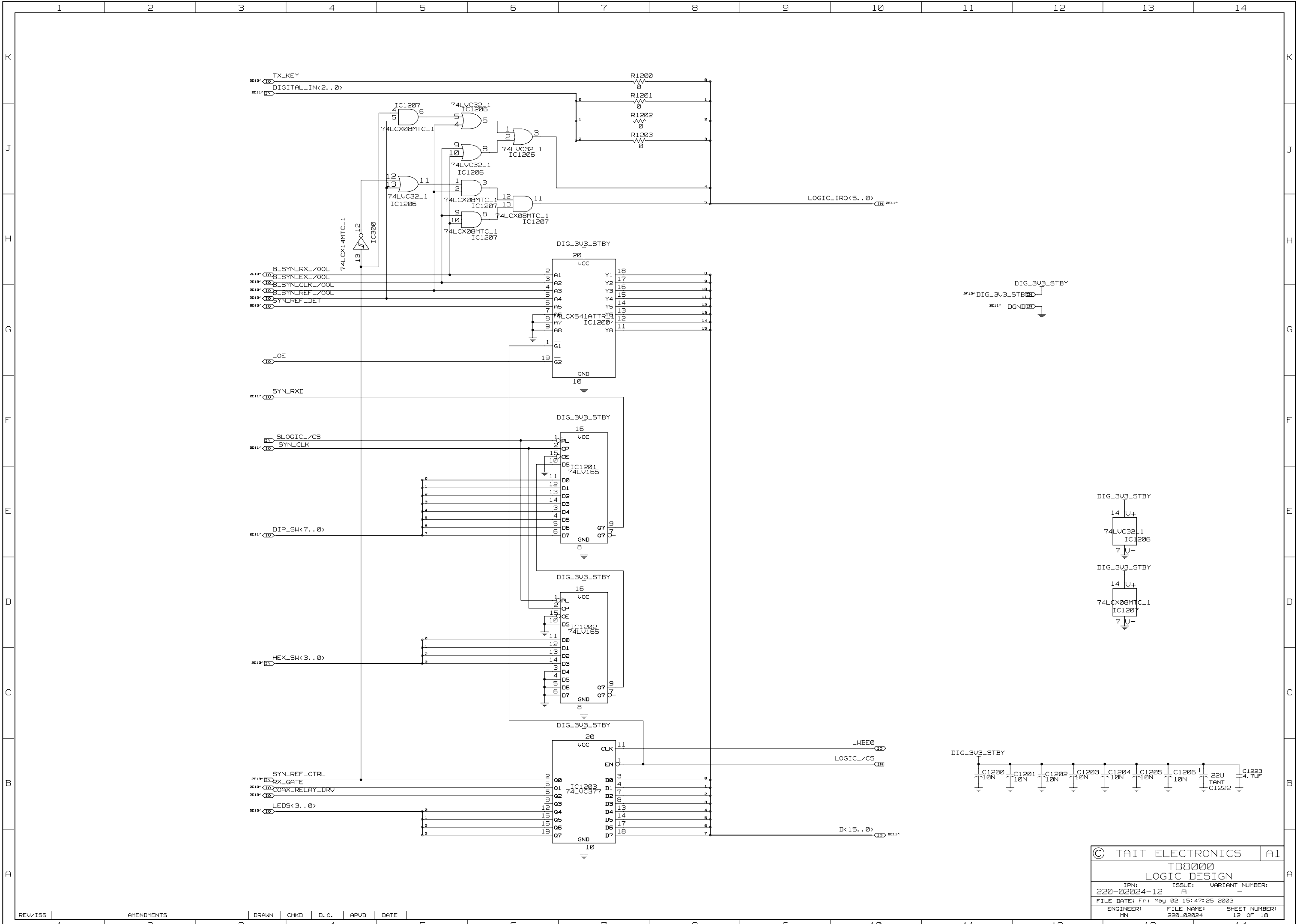
© TAIT ELECTRONICS		A1
T88000		
LINE INTERFACE		
IPN:	ISSUE:	VARIANT NUMBER:
220-02024-12	A	-
FILE DATE:	Fri May 02 15:47:22 2003	
ENGINEER:	FILE NAME:	SHEET NUMBER:
MN	220_02024	10 OF 18

REV/ISS	AMENDMENTS	DRAWN	CHKD	D.O.	APVD	DATE
1						



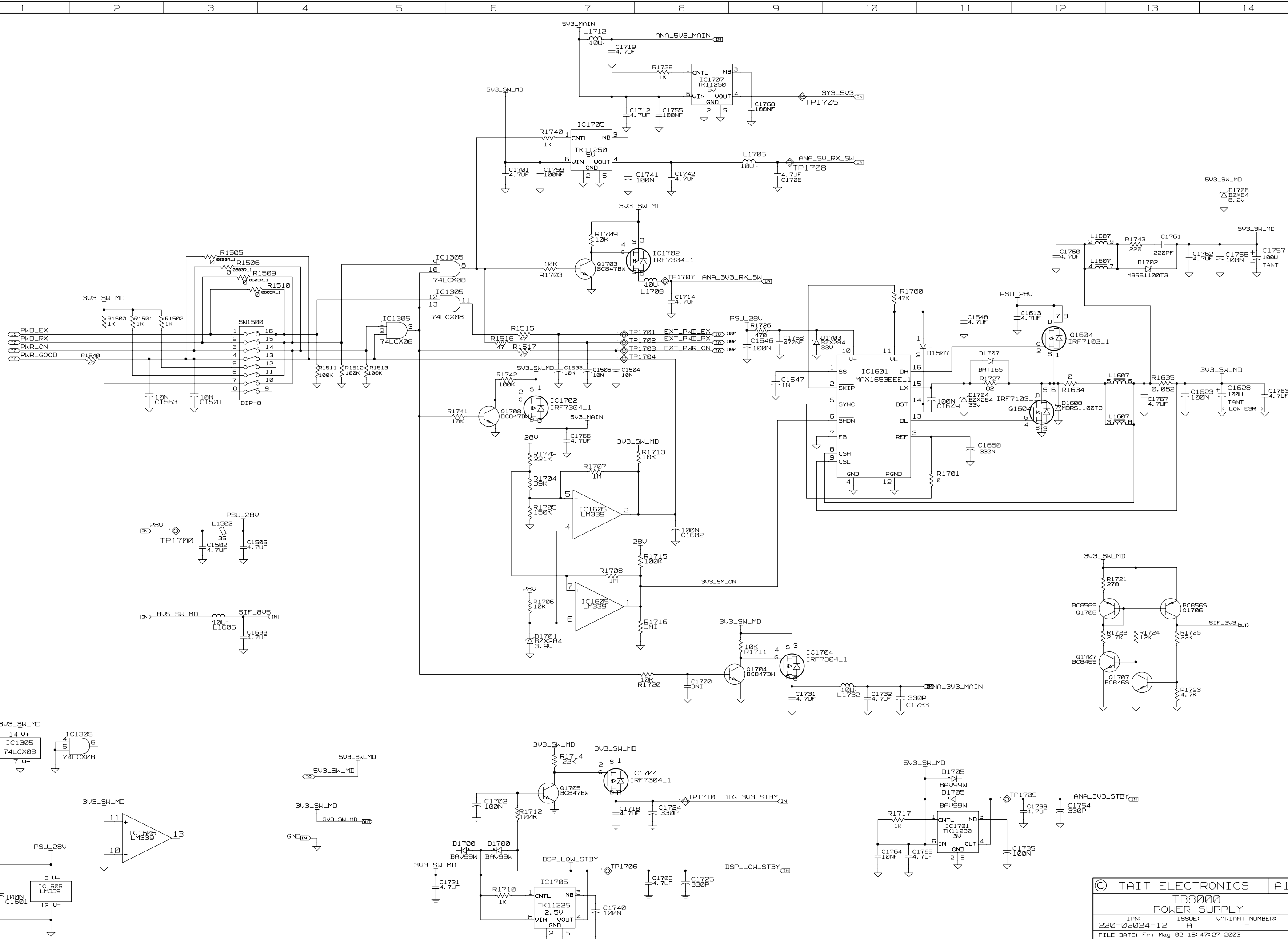
© TAIT ELECTRONICS		A1
T88000 MOD		
IPN: 220-02024-12	ISSUE: A	VARIANT NUMBER: -
FILE DATE: Fri May 02 15:47:24 2003		
ENGINEER: MN	FILE NAME: 220_02024	SHEET NUMBER: 11 OF 18

REV/ISS	AMENDMENTS	DRAWN	CHKD	D.O.	APVD	DATE
1						



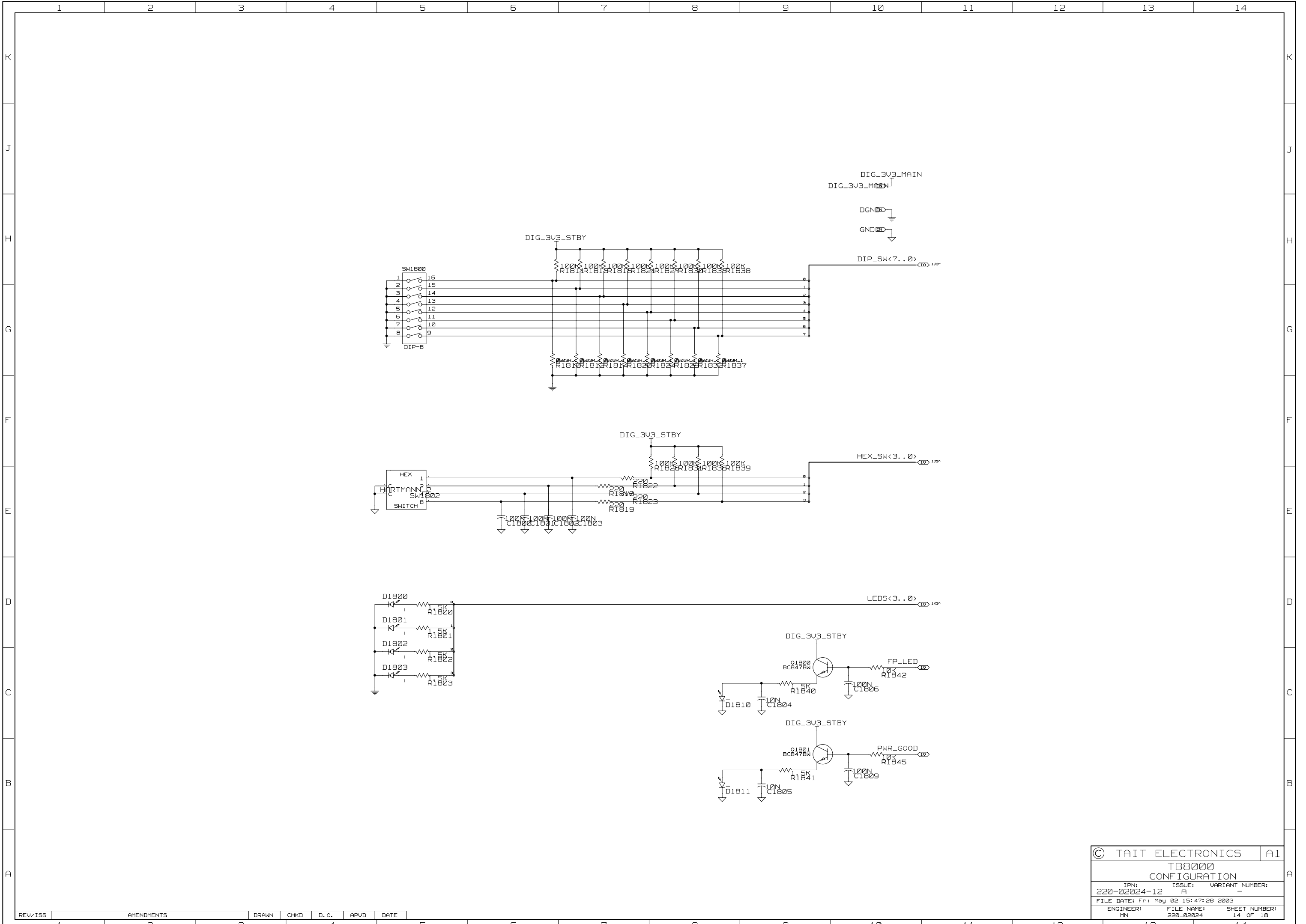
© TAIT ELECTRONICS		A1
TB8000 LOGIC DESIGN		
IPN: 220-02024-12	ISSUE: A	VARIANT NUMBER: -
FILE DATE: Fri May 02 15:47:25 2003		
ENGINEER: MN	FILE NAME: 220_02024	SHEET NUMBER: 12 OF 18

REV/ISS	AMENDMENTS	DRAWN	CHKD	D.O.	APVD	DATE
1						



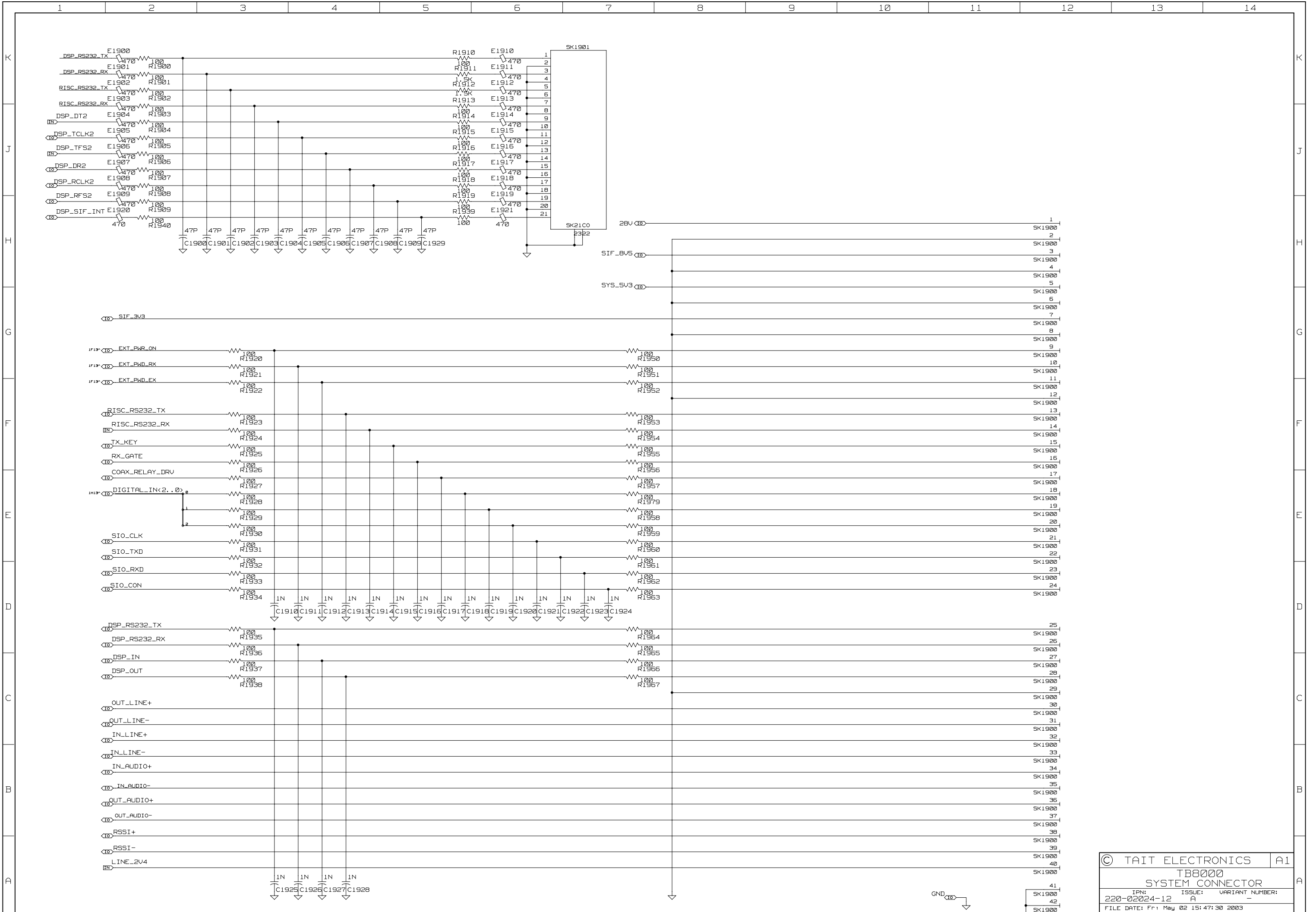
© TAIT ELECTRONICS		A1
T88000 POWER SUPPLY		
IPN: 220-02024-12	ISSUE: A	VARIANT NUMBER: -
FILE DATE: Fri May 02 15:47:27 2003	ENGINEER: MN	
FILE NAME: 220_02024	SHEET NUMBER: 13 OF 18	

REV/ISS	AMENDMENTS	DRAWN	CHKD	D.O.	APVD	DATE
1						



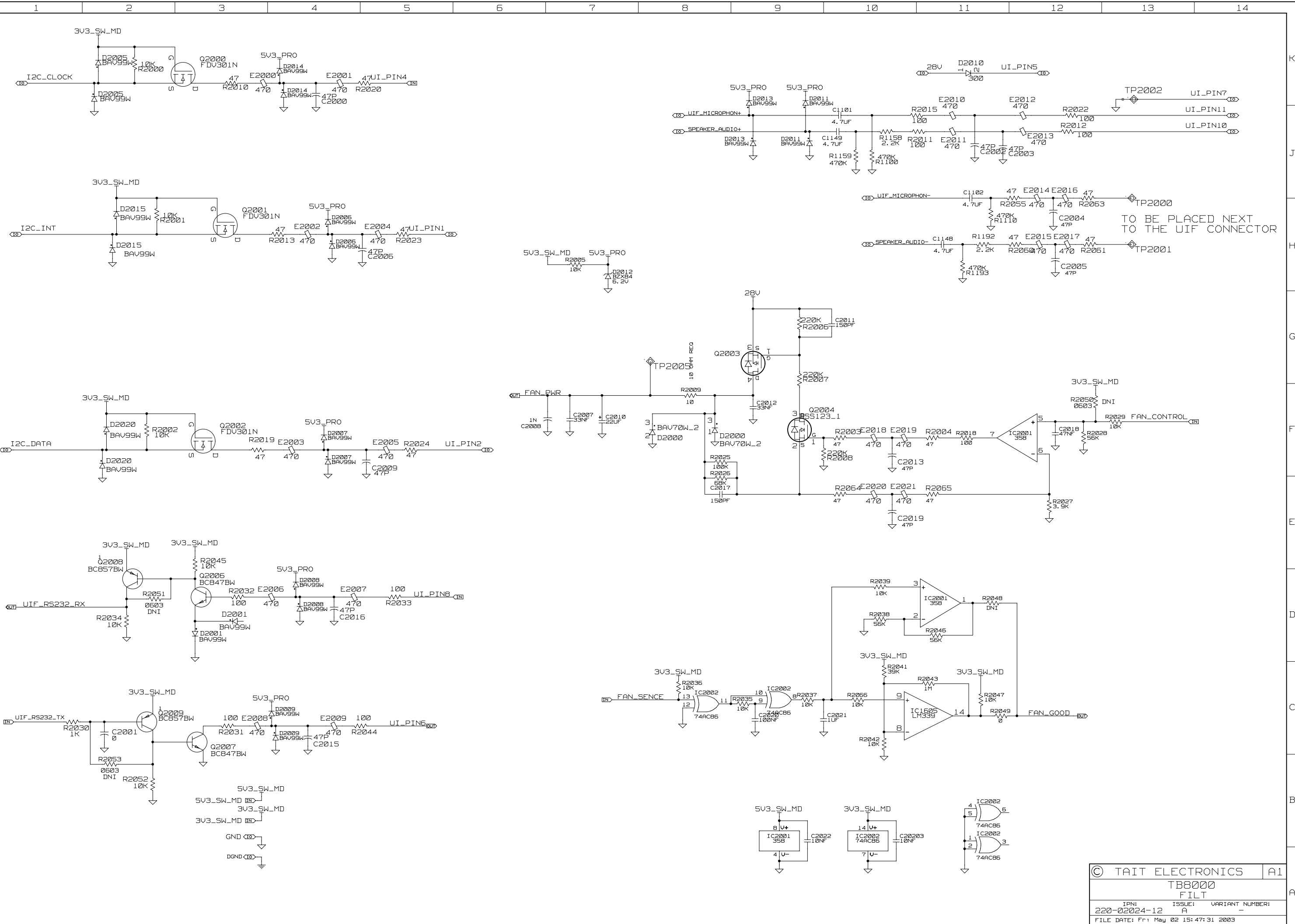
© TAIT ELECTRONICS		A1
T8800 CONFIGURATION		
IPN:	ISSUE:	VARIANT NUMBER:
220-02024-12	A	-
FILE DATE: Fri May 02 15:47:28 2003		
ENGINEER:	FILE NAME:	SHEET NUMBER:
MN	220_02024	14 OF 18

REV/ISS	AMENDMENTS	DRAWN	CHKD	D.O.	APVD	DATE
1						
2						
3						
4						
5						
6						
7						
8						
9						
10						
11						
12						
13						
14						



© TAIT ELECTRONICS		A1
TB8000 SYSTEM CONNECTOR		
IPN: 220-02024-12	ISSUE: A	VARIANT NUMBER: -
FILE DATE: Fri May 02 15:47:30 2003		
ENGINEER: MN	FILE NAME: 220_02024	SHEET NUMBER: 15 OF 18

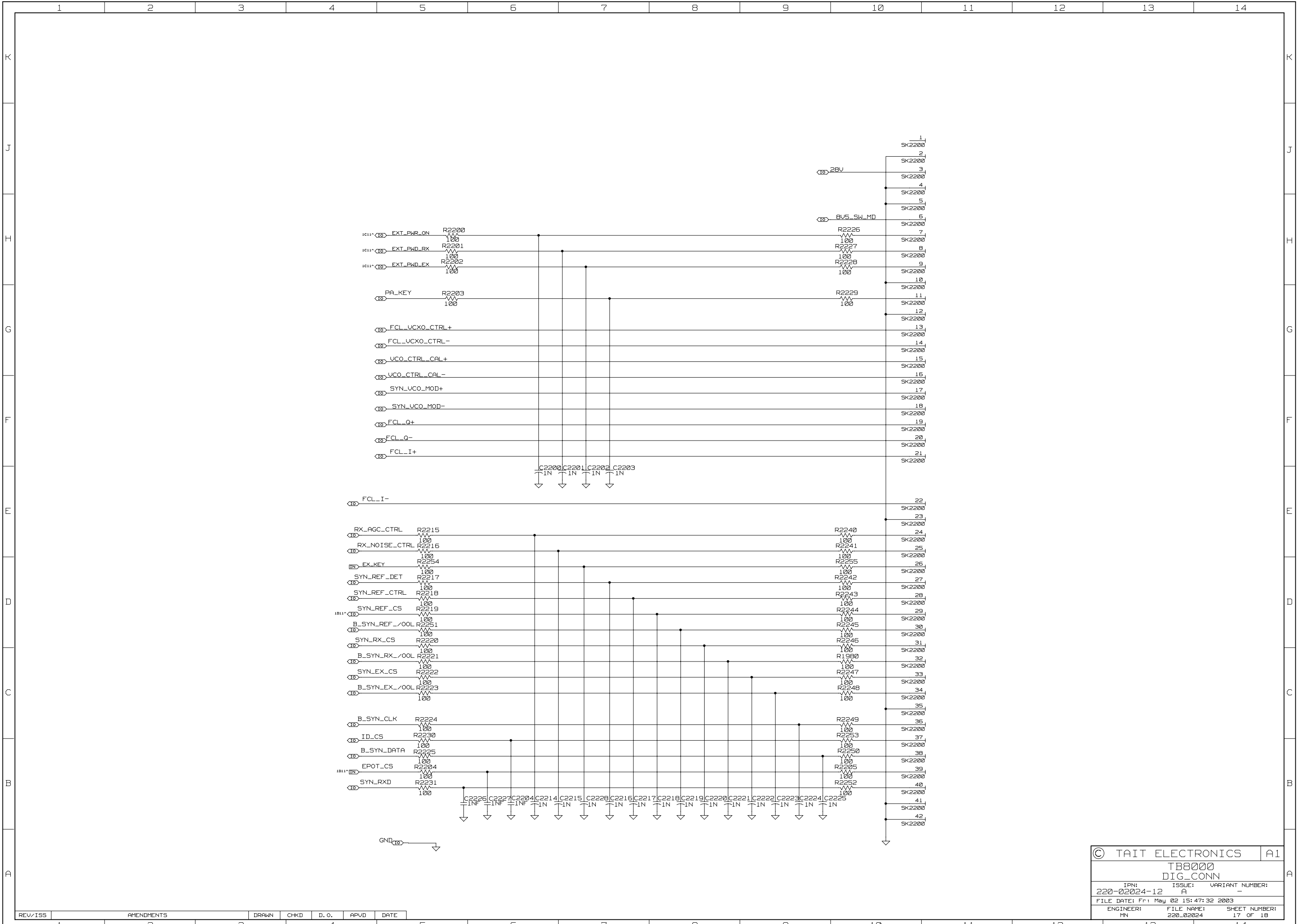
REV/ISS	AMENDMENTS	DRAWN	CHKD	D. O.	APVD	DATE
1						



TO BE PLACED NEXT TO THE UIF CONNECTOR

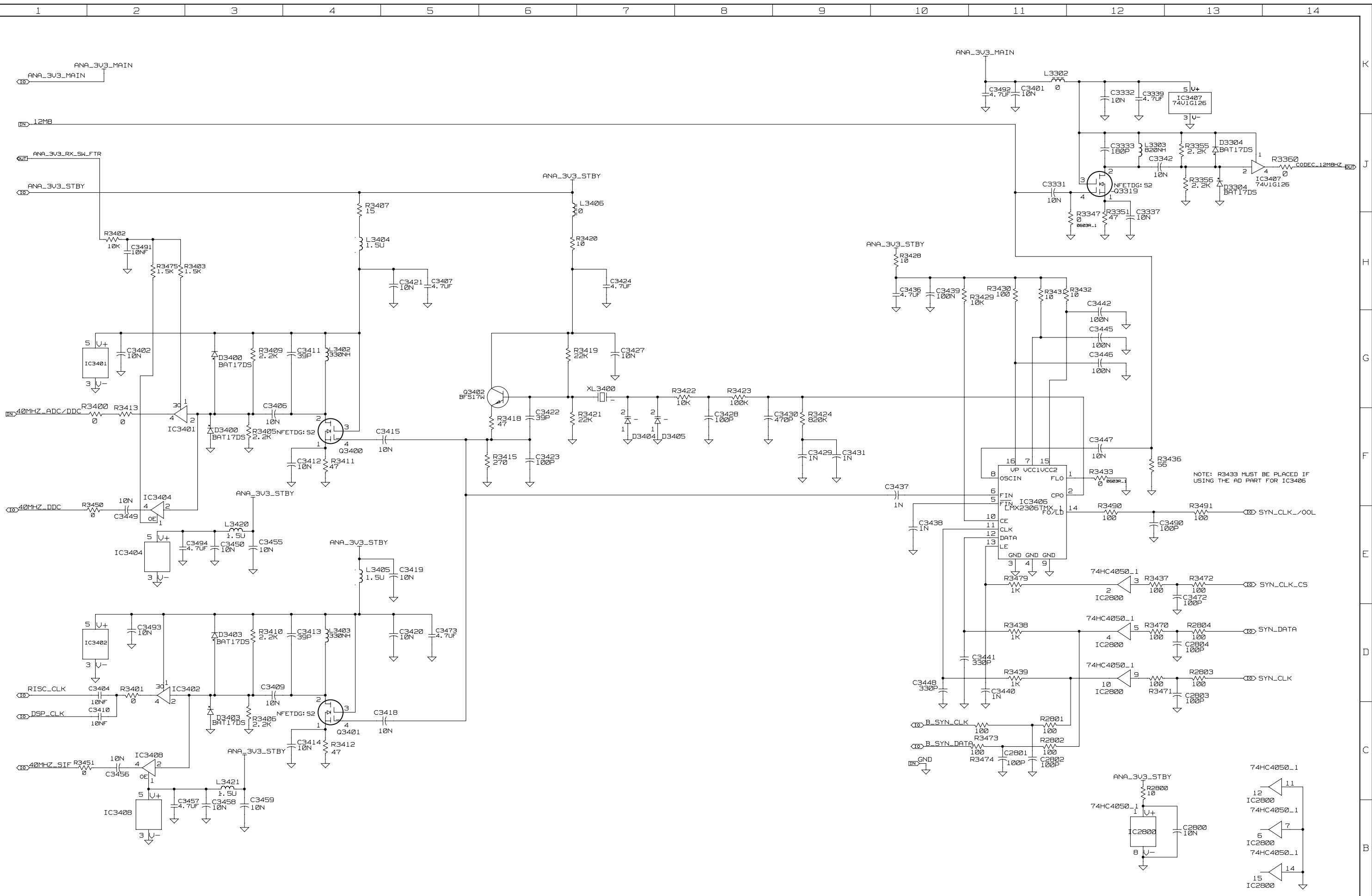
© TAIT ELECTRONICS		A1
T88000 FILT		
IPN: 220-02024-12	ISSUE: A	VARIANT NUMBER: -
FILE DATE: Fri May 02 15:47:31 2003		
ENGINEER: MN	FILE NAME: 220_02024	SHEET NUMBER: 16 OF 18

REV/ISS	AMENDMENTS	DRAWN	CHKD	D.O.	APVD	DATE
1				4		
2						
3						
4						
5						



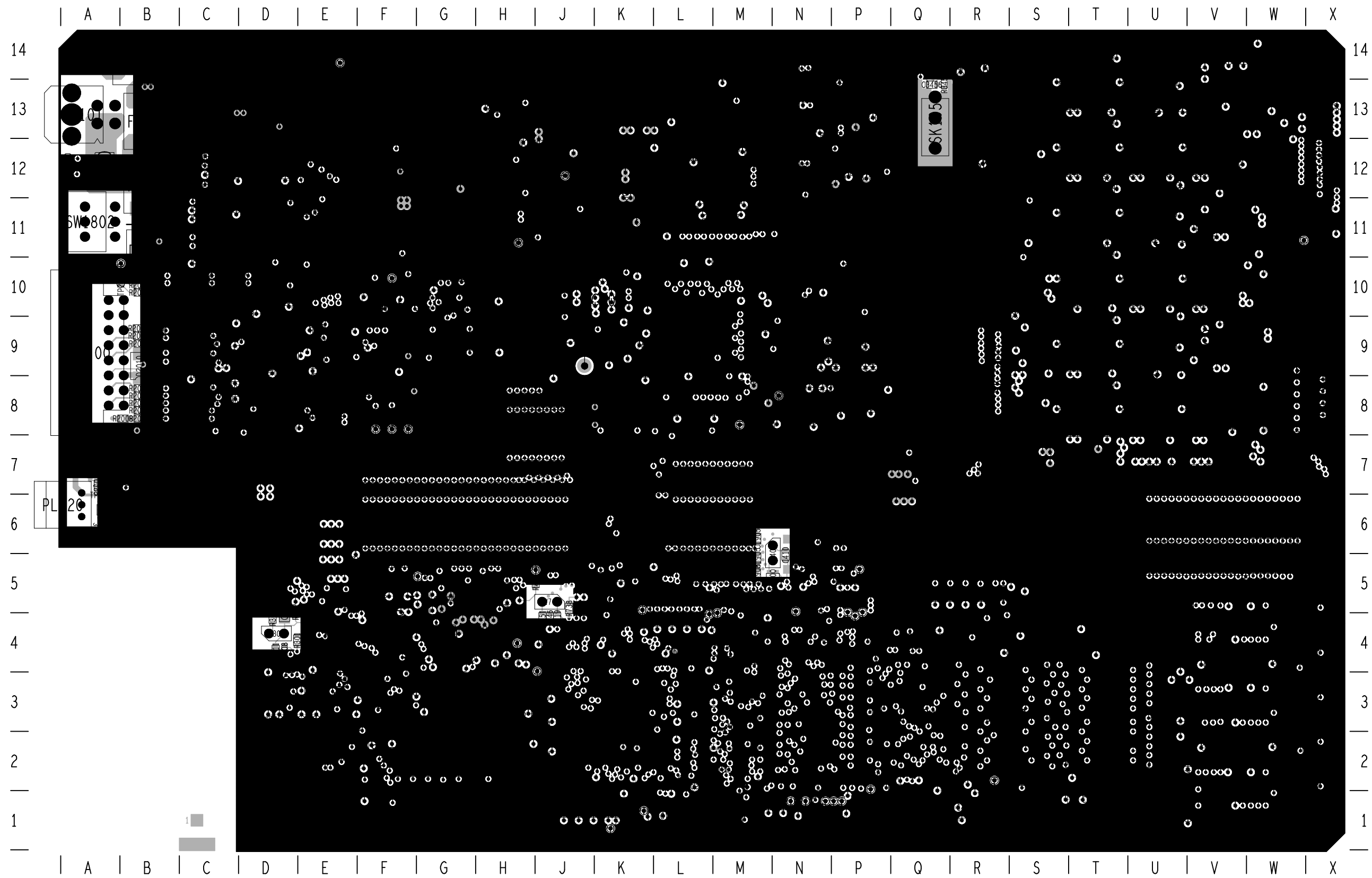
© TAIT ELECTRONICS		A1
T88000 DIG_CONN		
IPN: 220-02024-12	ISSUE: A	VARIANT NUMBER: -
FILE DATE: Fri May 02 15:47:32 2003		
ENGINEER: MN	FILE NAME: 220_02024	SHEET NUMBER: 17 OF 18

REV/ISS	AMENDMENTS	DRAWN	CHKD	D.O.	APVD	DATE
1						



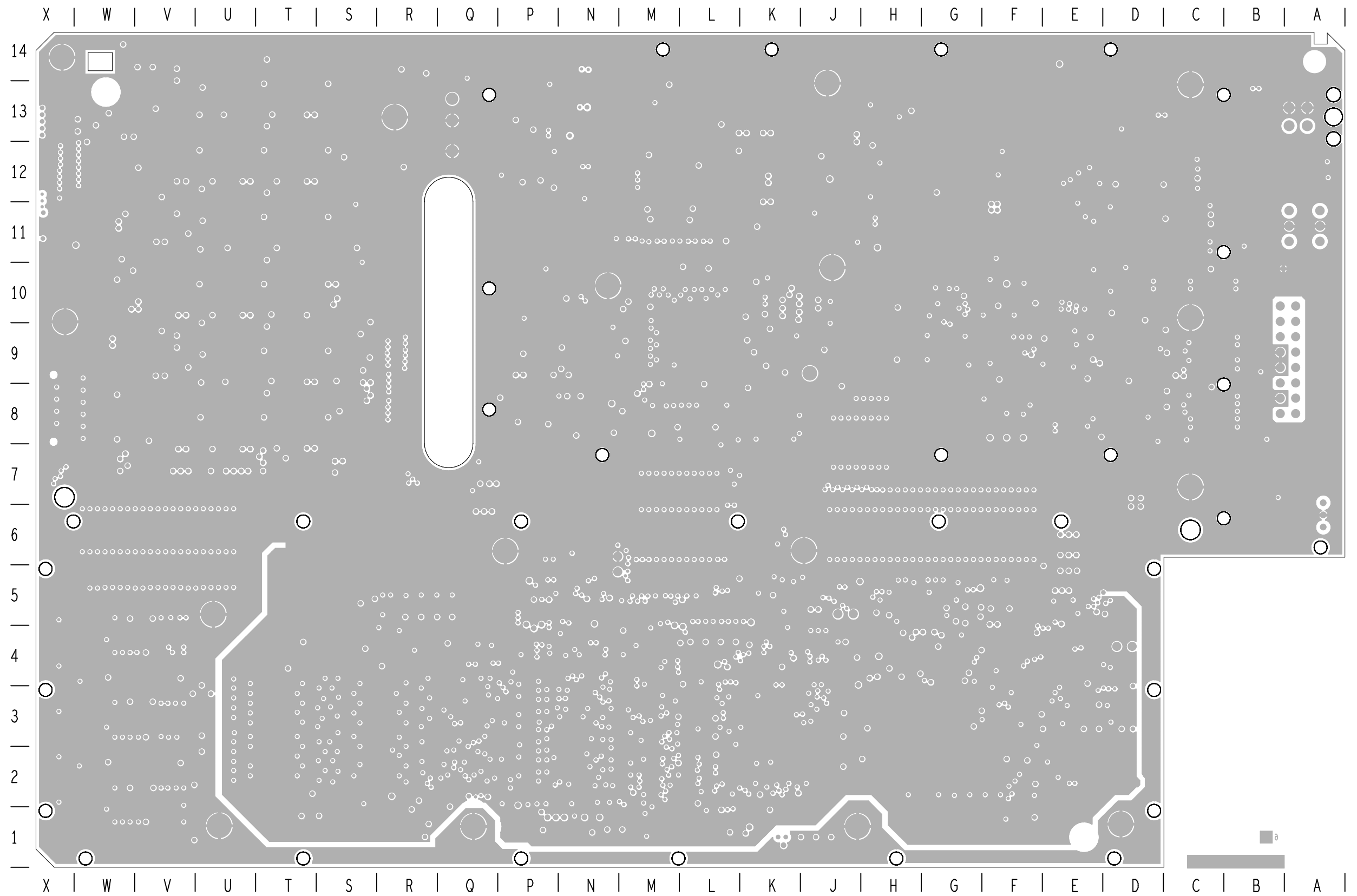
© TAIT ELECTRONICS | A1
 TB8000
 ANALOG CLOCK SYNTH
 IPN: ISSUE: VARIANT NUMBER:
 220-02024-12 A -
 FILE DATE: Fri May 02 15:47:34 2003
 ENGINEER: FILE NAME: SHEET NUMBER:
 MN 220_02024 18 OF 18

REV/ISS	AMENDMENTS	DRAWN	CHKD	D.O.	APVD	DATE
1						



	IPN:	AssyISS:	DATE:
	220-02024-12	A	7May03
TB8000 Reciter Control 220-02024-12_LAYOUT-PRIMARY-SIDE			

NOT TO SCALE



	IPN:	AssyISS:	DATE:
	220-02024-12	A	7May03
TB8000 Reciter Control 220-02024-12_LAYOUT-SECONDARY-SIDE			

NOT TO SCALE